

StudioWall™

Assembly Instructions for all StudioWall Models

StudioWall SWF68

Width = 68" (5'-8")

Screen Height = 76.5" (6'-4 1/2")

Features:

Clear anodized aluminum light weight frame.

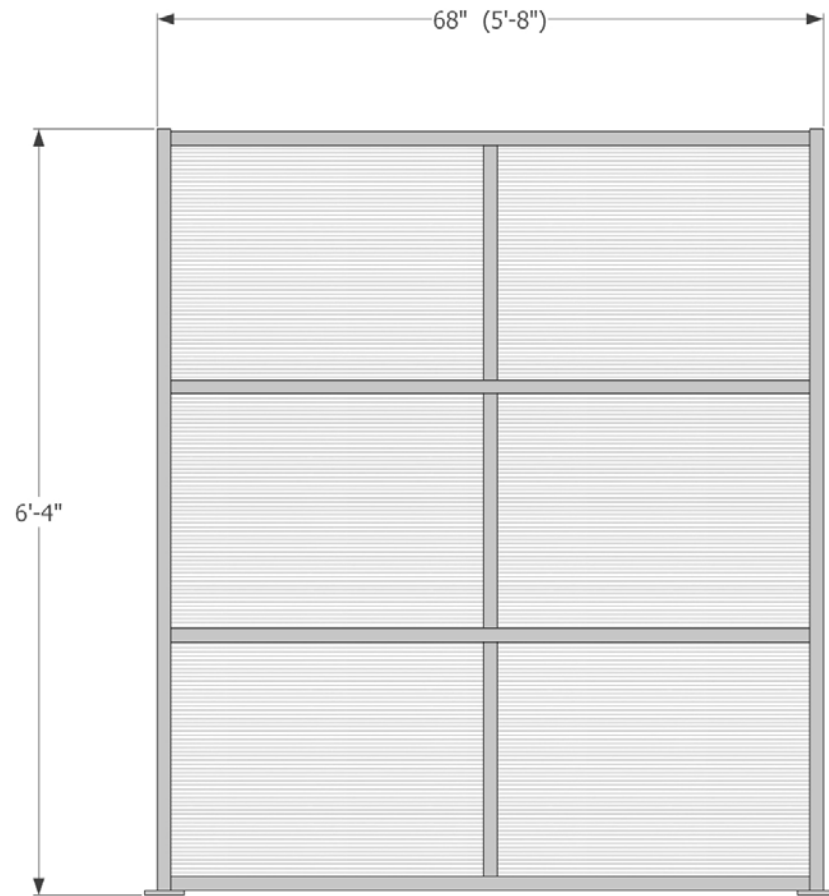
Available in white and hammered textured translucent twin wall polycarbonate light transmitting panels.

Easy to install and to take down.

Portable and easy to move.

Solid color panels are available as an option.

Note: All dimensions are approximate



StudioWall SWF68

StudioWall™

StudioWall

SWF35
SWF33-ADD
SWF33-RR
SWF33-LR

Features:

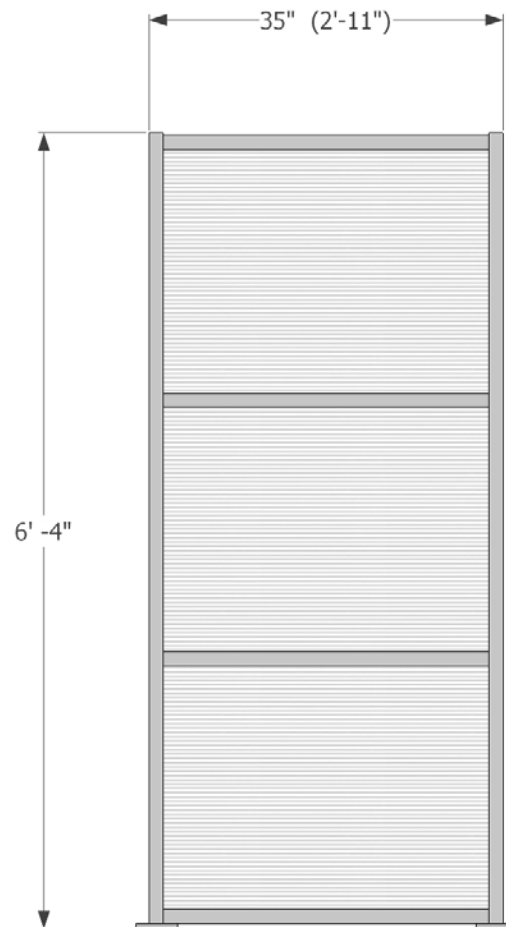
Clear anodized aluminum light weight frame.

Available in white and hammered textured translucent twin wall polycarbonate light transmitting panels.

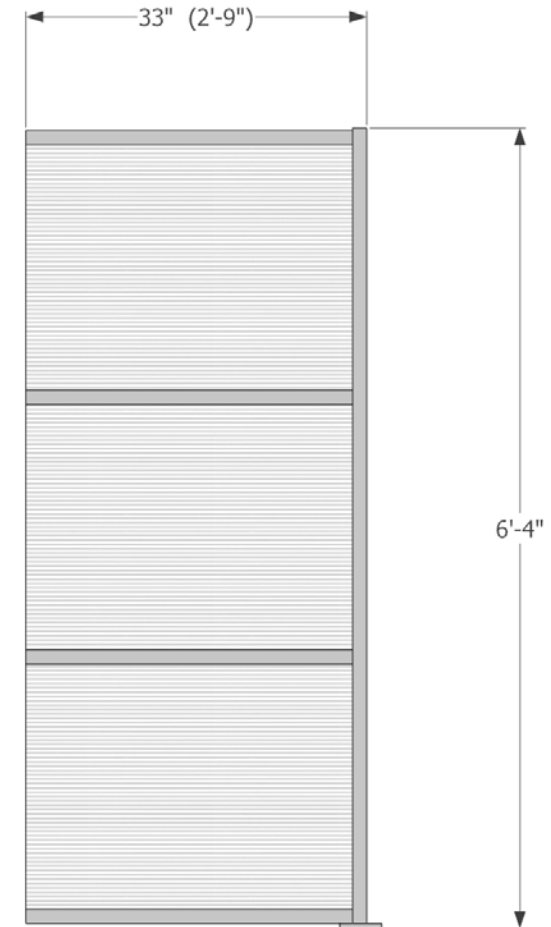
Easy to install and to take down.

Portable and easy to move.

Note: All dimensions are approximate



SWF35



SWF33-ADD
SWF33-RR
SWF33-LR

StudioWall™

StudioWall

SWF101

Features:

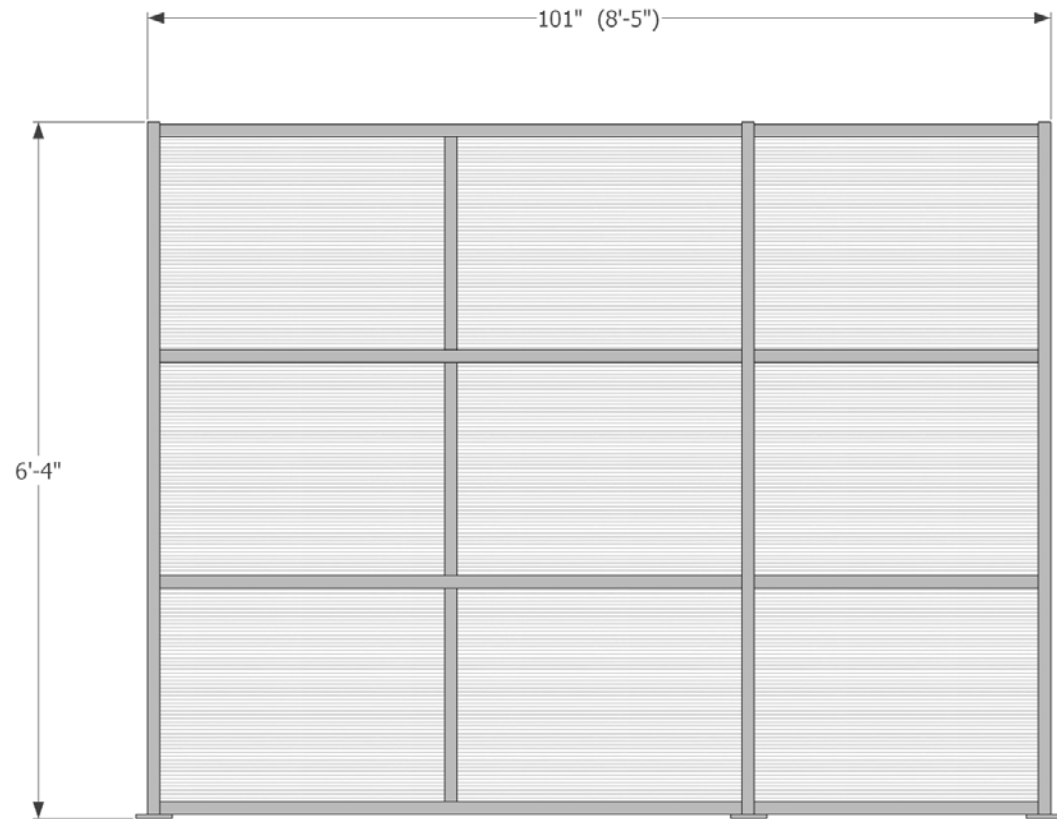
Clear anodized aluminum light weight frame.

Available in white and hammered textured translucent twin wall polycarbonate light transmitting panels.

Easy to install and to take down.

Portable and easy to move.

Note: All dimensions are approximate



SWF101

StudioWall™

StudioWall

SWF134

Features:

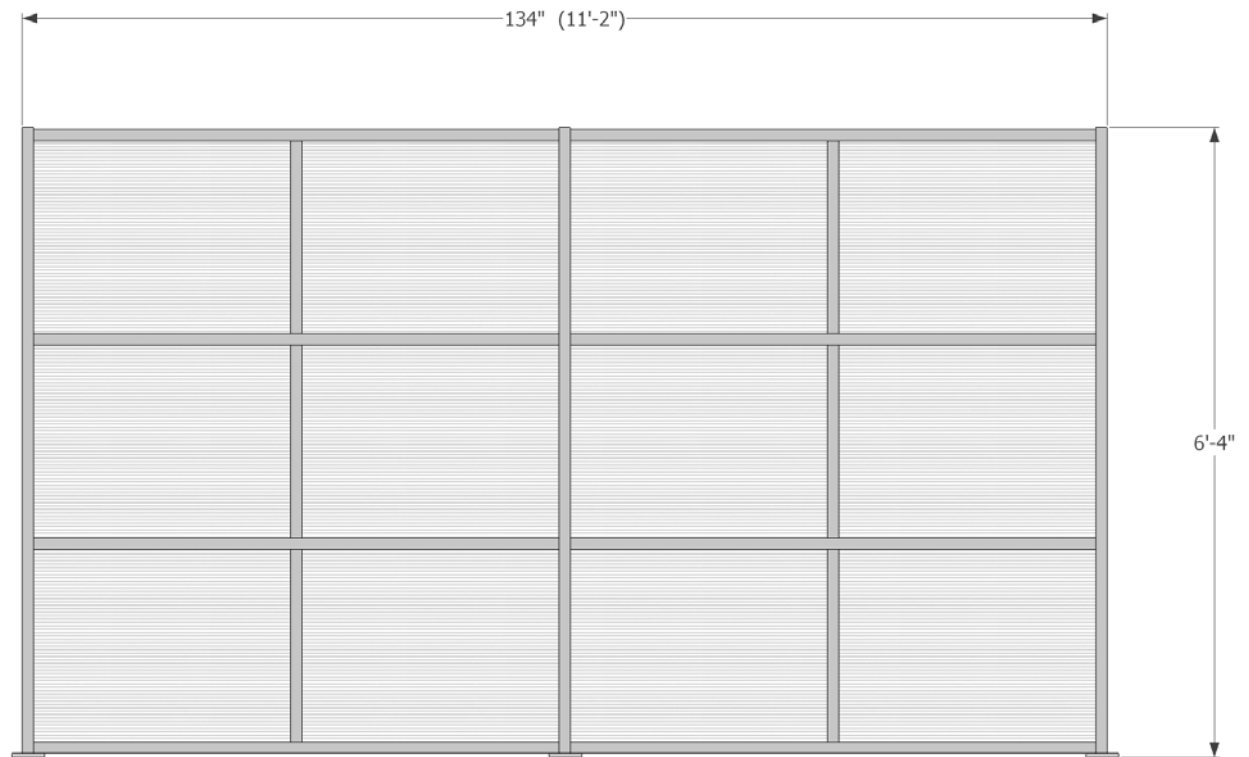
Clear anodized aluminum light weight frame.

Available in white and hammered textured translucent twin wall polycarbonate light transmitting panels.

Easy to install and to take down.

Portable and easy to move.

Note: All dimensions are approximate



SWF134

StudioWall™

StudioWall

SWF66-ADD
SWF66-RR
SWF66-LR

Features:

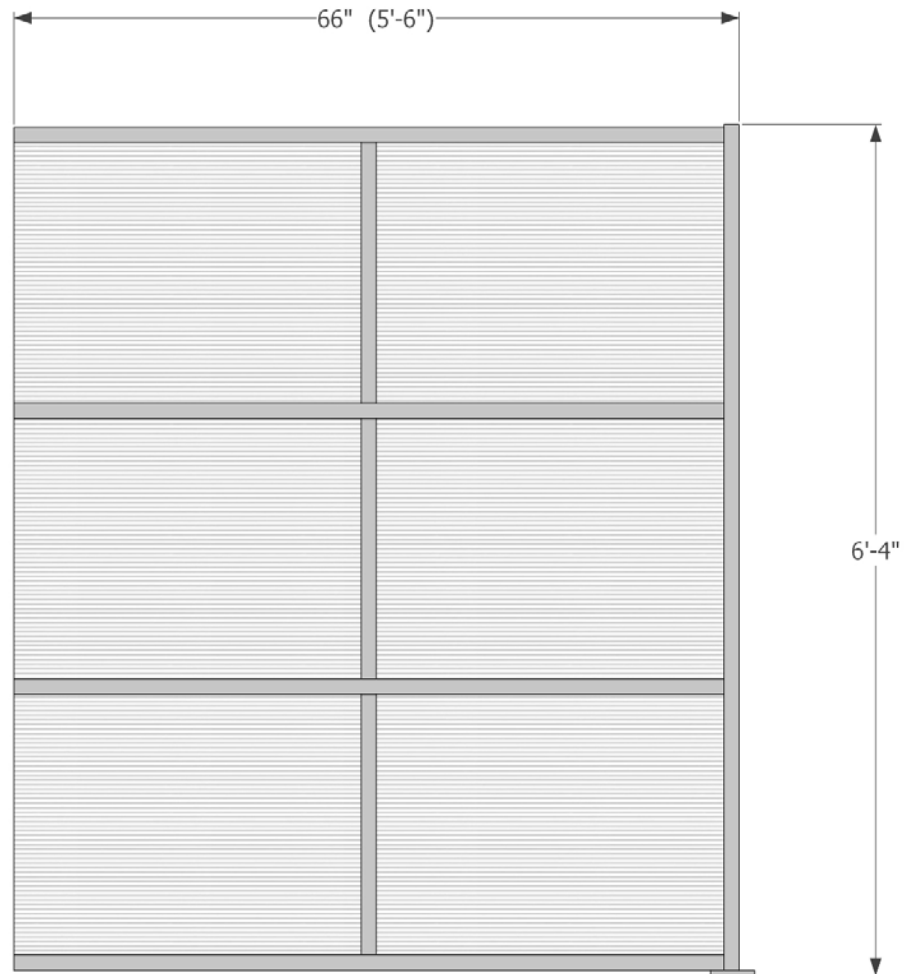
Clear anodized aluminum light weight frame.

Available in white and hammered textured translucent twin wall polycarbonate light transmitting panels.

Easy to install and to take down.

Portable and easy to move.

Note: All dimensions are approximate

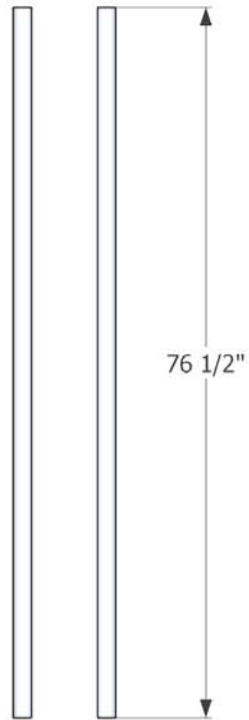


SWF66-ADD
SWF66-RR
SWF66-LR

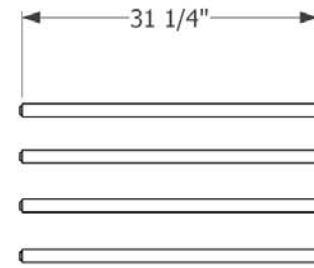
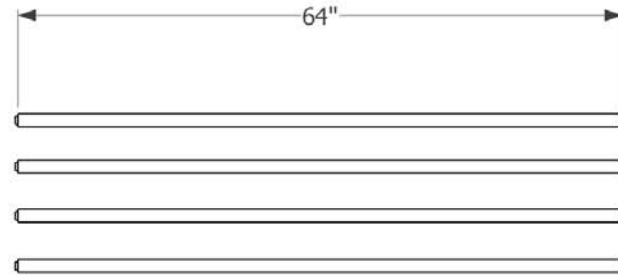
StudioWall Parts

Quantities of each part varies according to model numbers.

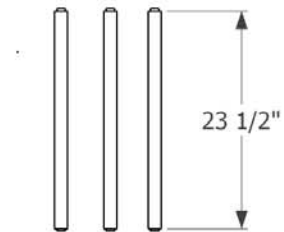
○ ○
Post Caps



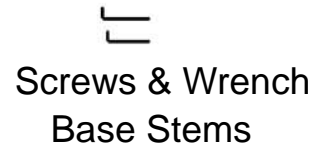
Posts



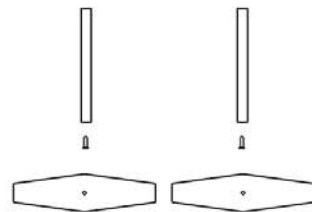
Horizontal Frames



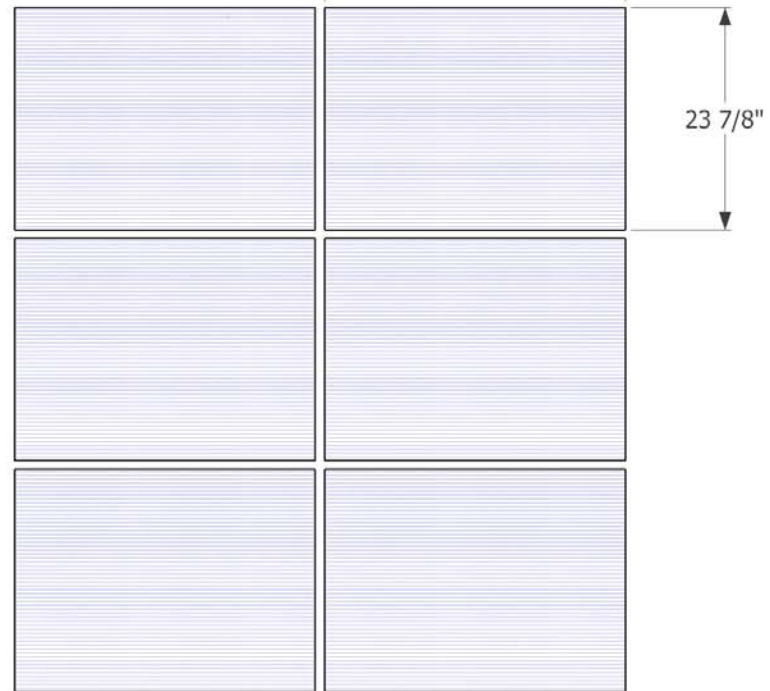
Vertical Frames



Screws & Wrench
Base Stems

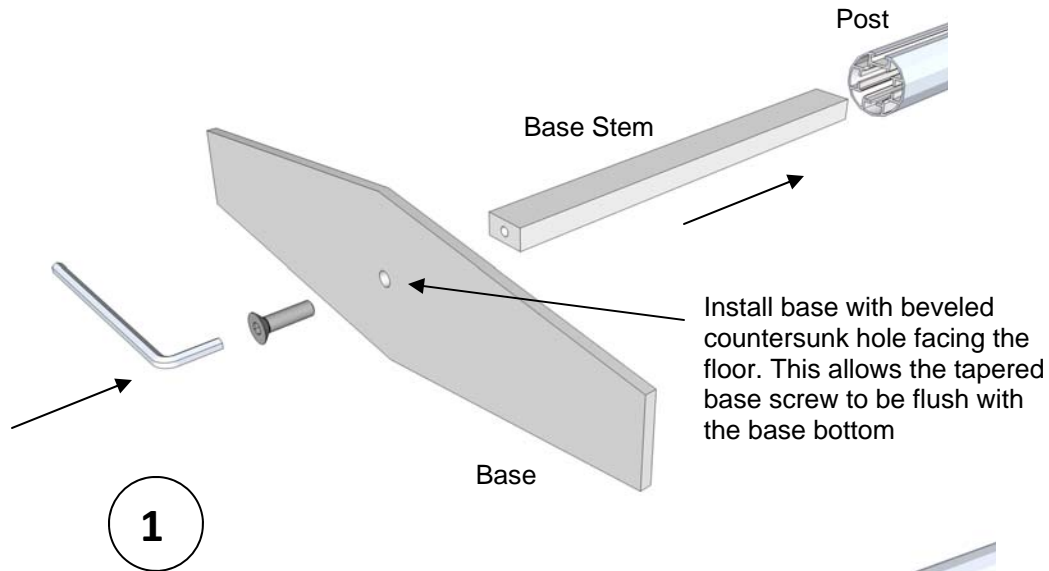


Bases

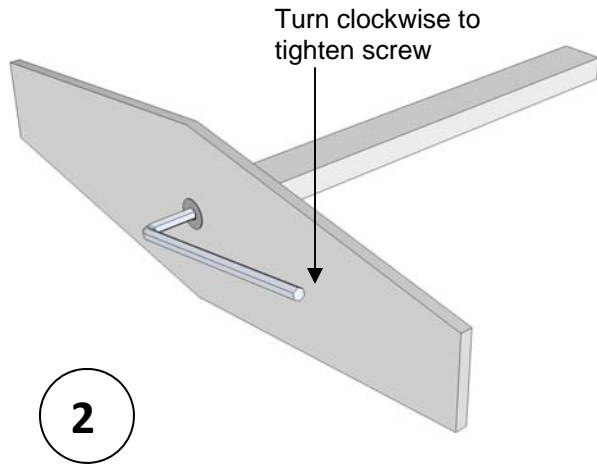


Panels

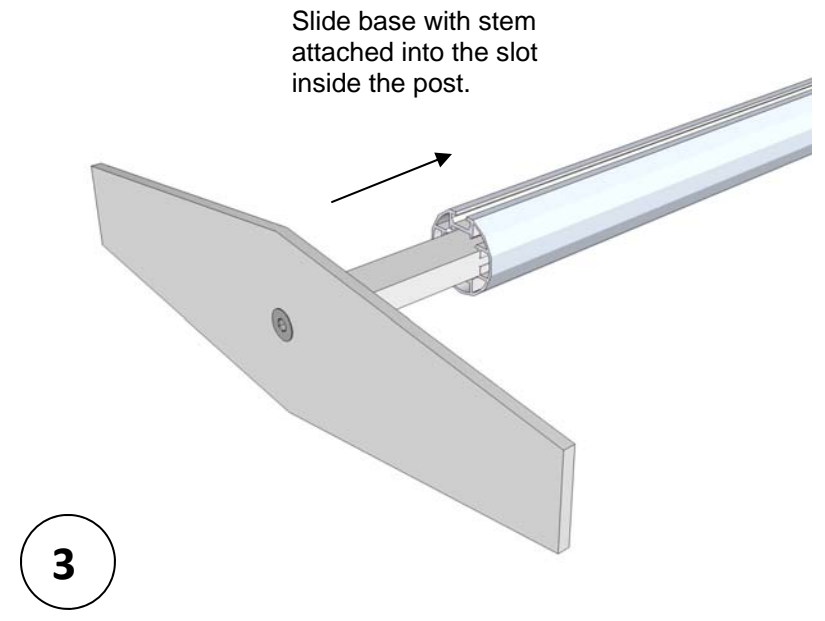
StudioWall - Base & Post Assembly:



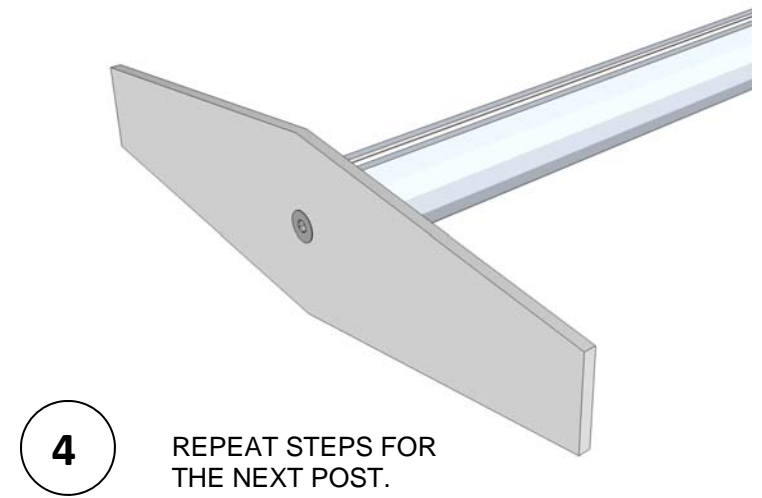
1



2

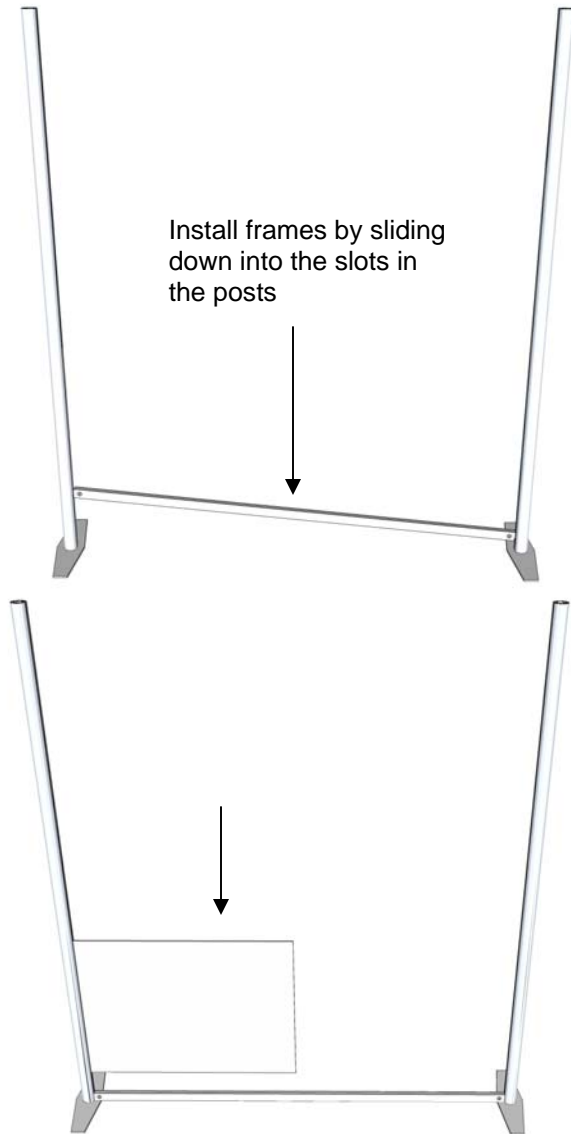


3



4

StudioWall - Frame & Panel Assembly:



5

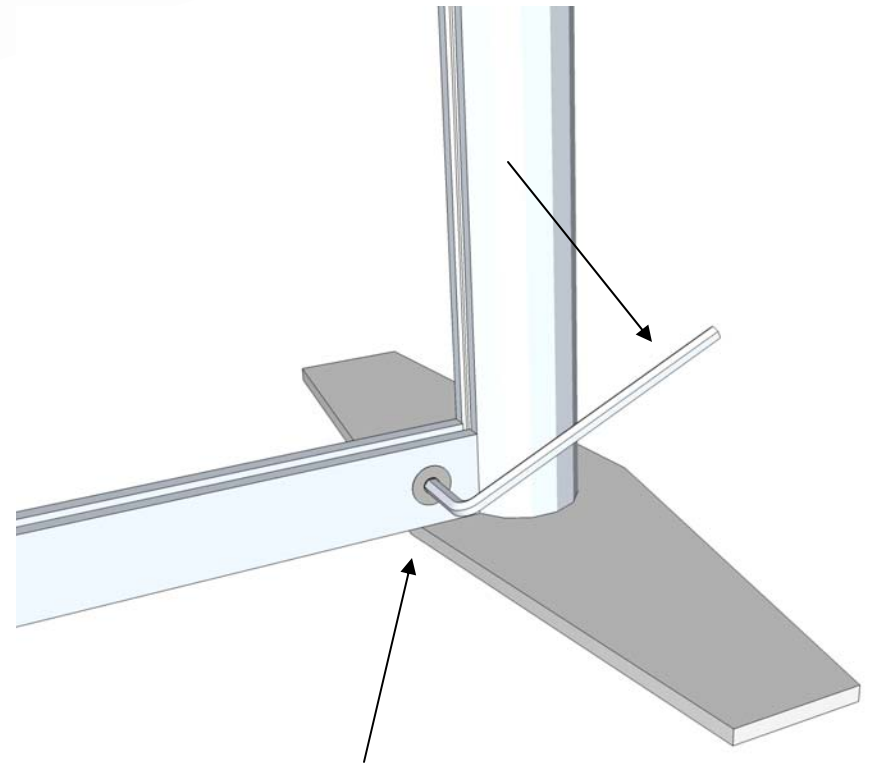
Slide panels down with edge inside vertical slots in posts and down into the slots of the horizontal frames.

Remember to peel off the protective film from each side of the panels prior to installation

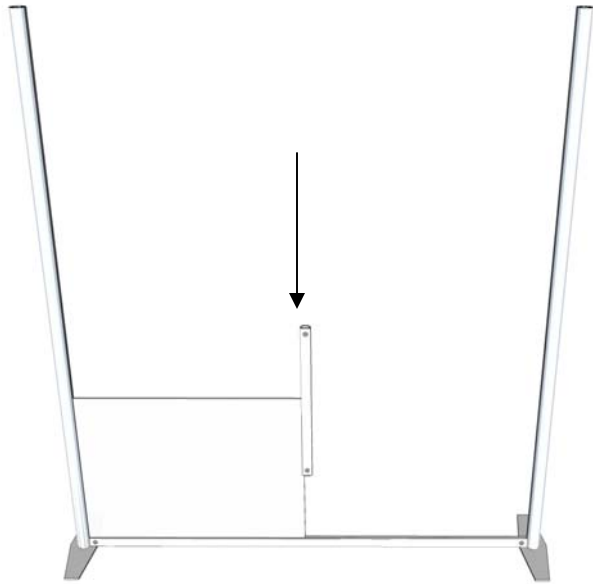
6



Use the supplied hex key wrench to tighten the connector screw at the end of each horizontal & vertical frame

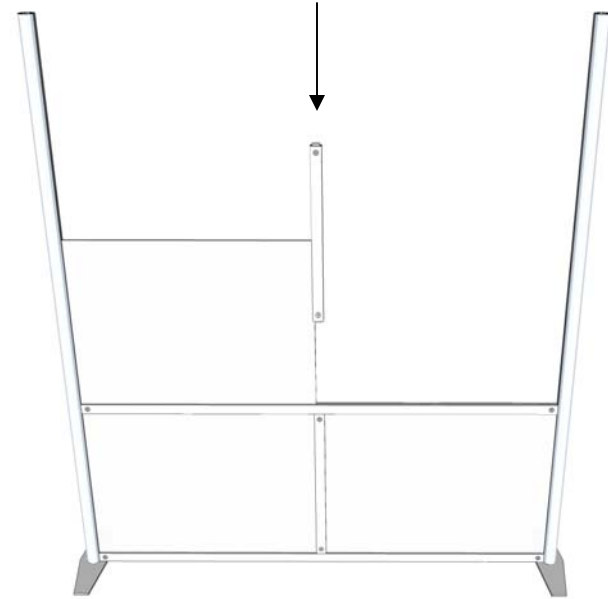


StudioWall - Frame & Panel Assembly:

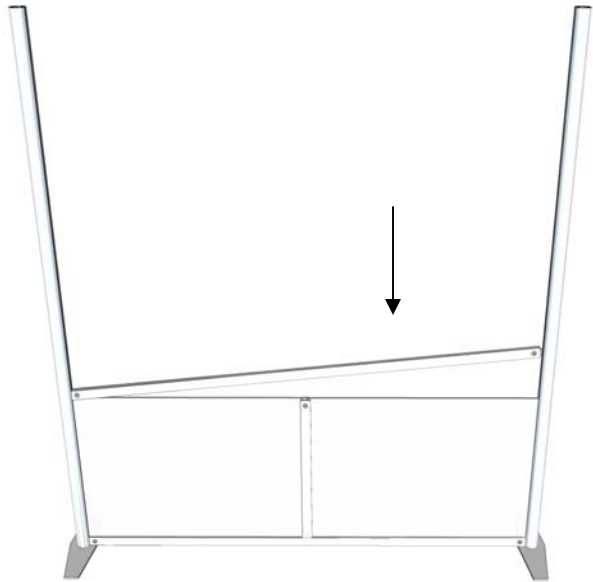


Install vertical frames into the slots of the horizontal frames and tighten the connector screw at each end. See page 6. Tighten after adjacent panel has been installed.

7



9

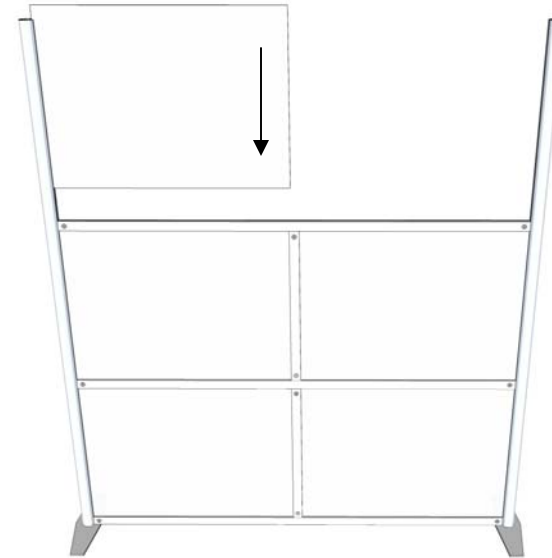


Refer to connection diagram on page 6.

Repeat the process until all the panels and frames are installed.

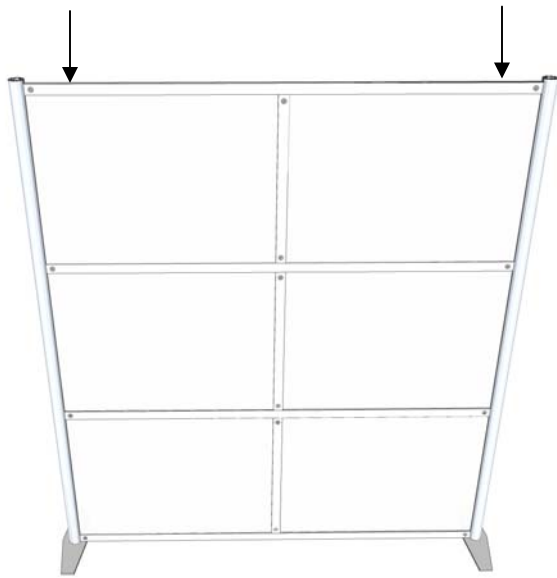
Press down on horizontal frames to ensure that the panels fit snugly and tighten the connector screws using the hex wrench.

8

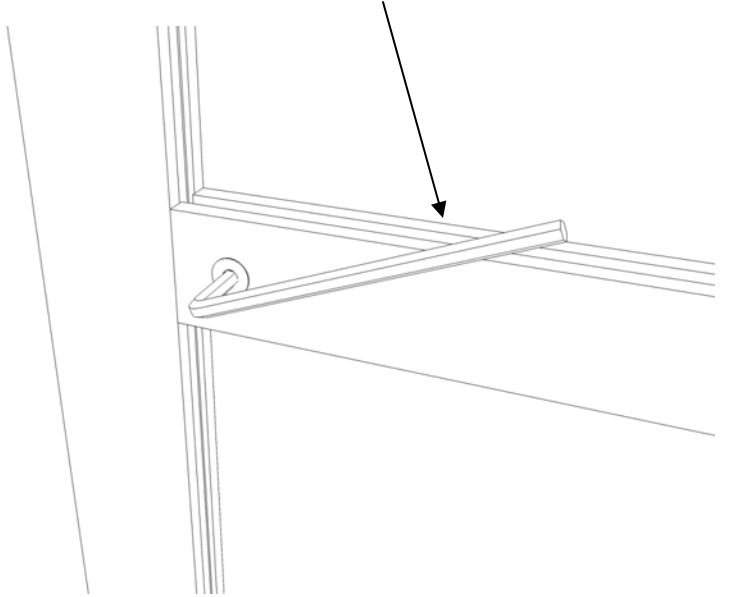
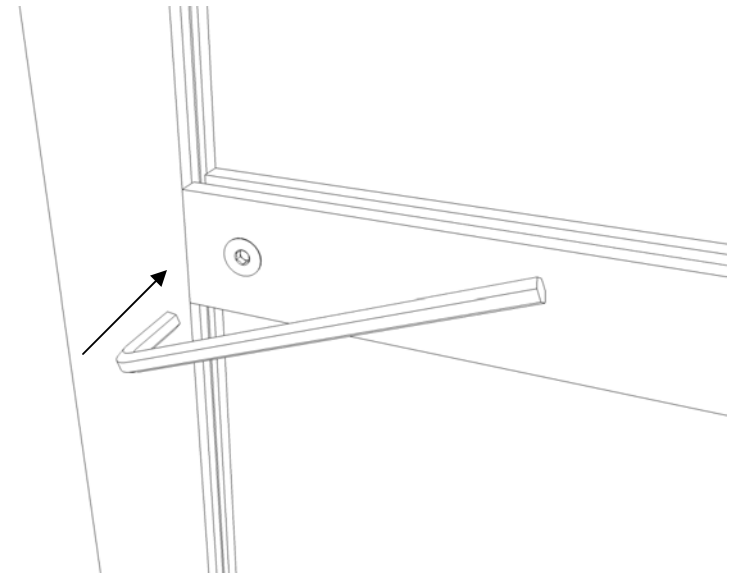


10

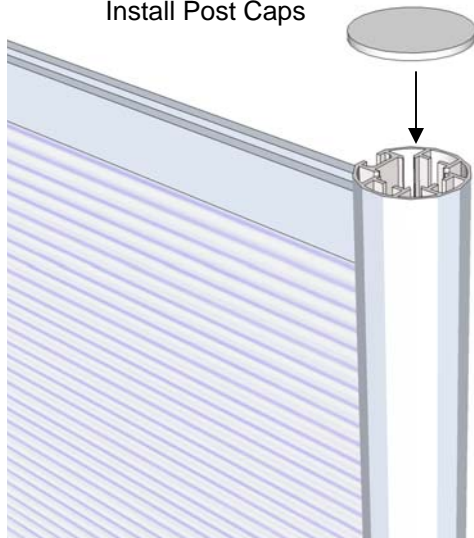
StudioWall - Frame & Panel Assembly:



11



Install Post Caps

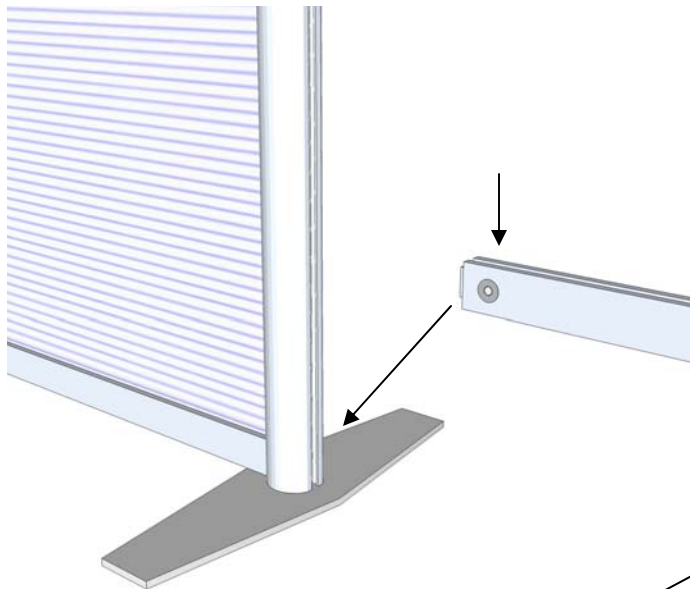


Note: Be sure that you spaced the vertical frames exactly in the middle of the horizontal frame. Adjustments can be made by loosening the connector screws, measuring, and re-spacing the vertical frames as needed.

Install self-adhesive aluminum post caps last at the top of each post

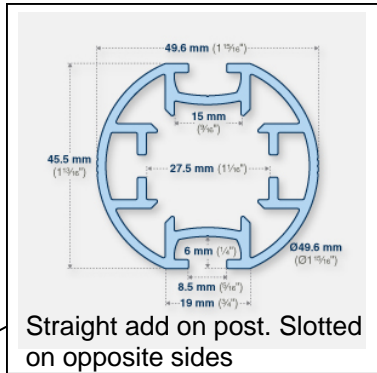
12

StudioWall - Frame & Panel Assembly: Add on units and corner returns



Note:

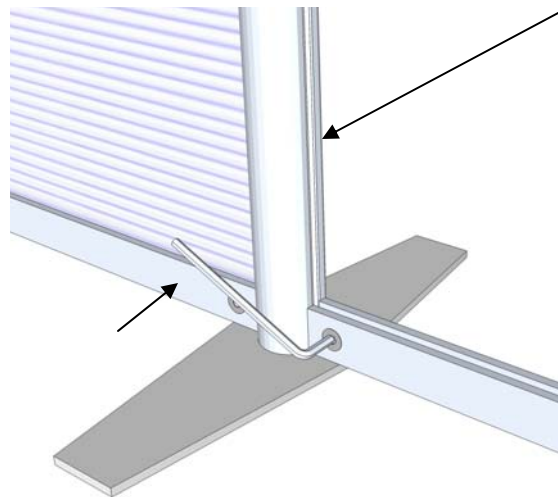
Add on and corner return units assemble using the same as the straight wall models. Follow the steps outlined on the previous pages.



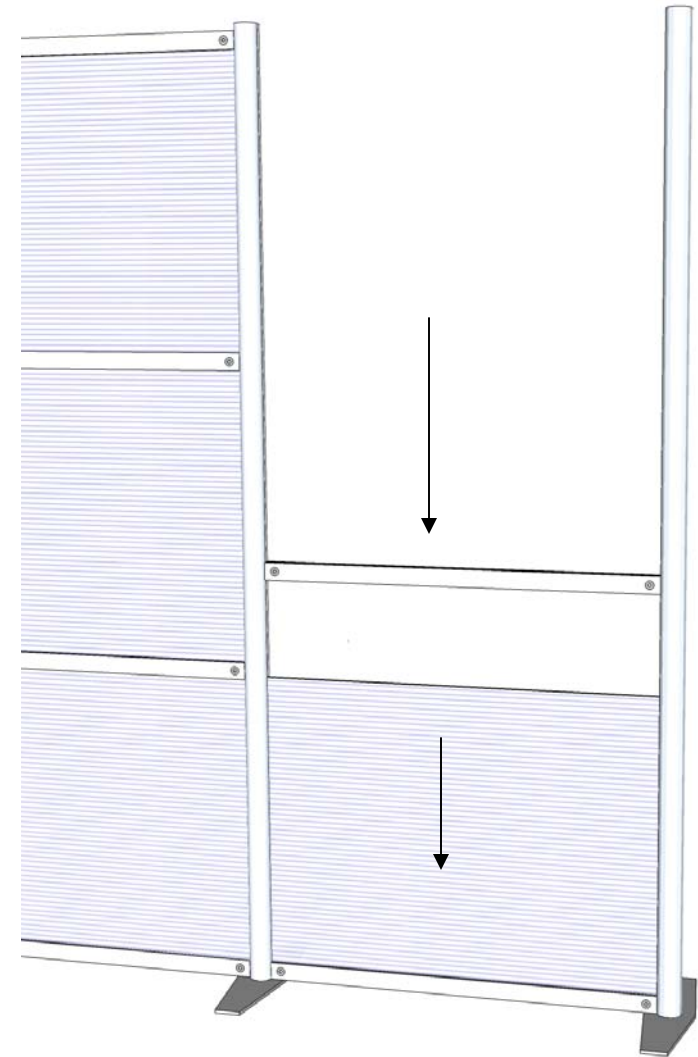
Straight add on post. Slotted on opposite sides

13

Use the hex wrench and turn hex screw counter clockwise to tighten connector into the slots.



14



Slide panels down into slots and Install horizontal frames.

StudioWall - Frame & Panel Assembly: Add on units and corner returns

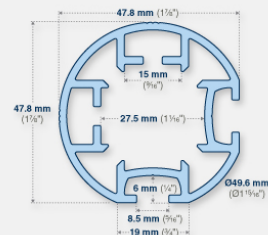
Note:

Add on and corner return units assemble using the same as the straight wall models. Follow the steps outlined on the previous pages.

Use the hex wrench and turn hex screw counter clockwise to tighten connector into the slots.

15

90 degree double slotted corner return post.



16

Slide panels down into slots and install horizontal frames.